

# Presto

## User Manual



English Rev A Jan 2008.

# Important Safety Information

**Please read all of the following instructions before setting up your Presto. Failure to follow these instructions properly could lead to physical injury.**

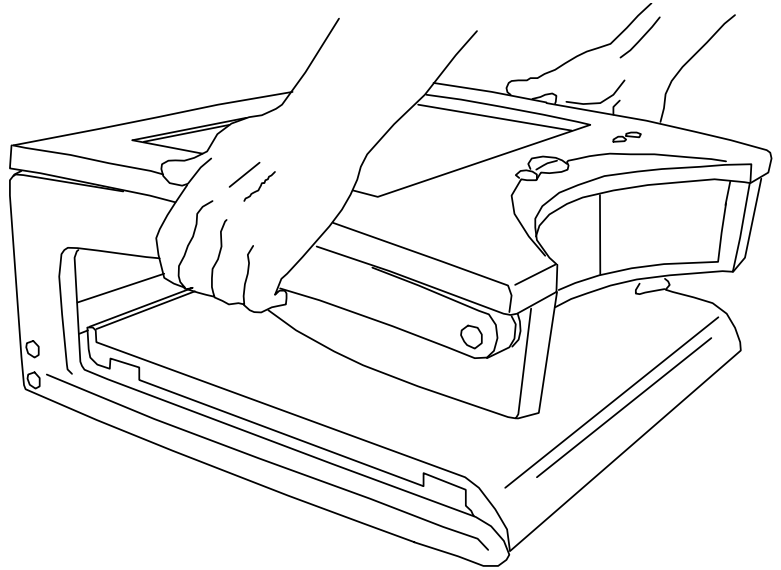
- The Presto must be used on a flat, level table. Never attempt to use it on a sloping surface or on a table that cannot accommodate the full footprint of the unit.
- The front of the Presto must be placed at least 10cms or 4 inches back from the edge of the table. This is to prevent the unit from tipping forward if excessive weight is placed on the reading table when fully extended. There are warning labels placed on the reading table with arrows indicating the maximum overhang permissible when the table is fully extended.
- Both X/Y table and Screen contain moving parts. Please take care with folding back the screen and operating the X/Y table. If fingers get caught, injury might occur. If you feel you cannot operate the unit safely, please seek advice or contact your supplier.
- Never lift the Presto by the reading table.
- The Presto must only be powered by the supplied power supply. Using another source of power could permanently damage the unit and will invalidate your warranty.

- To prevent fire or electric shock please ensure this unit is kept away from all liquids. Do not use the unit in excessively damp or wet areas and do not expose it to rain, snow, etc.
- Before cleaning the unit, please ensure that it is unplugged. Use a slightly damp cloth to clean the exterior. Do NOT use solvents or aerosol cleaners.
- This unit should never be opened. It contains hazardous voltages. Unauthorized servicing will invalidate your warranty. If you encounter any problems with this unit please contact your local dealer.
- While we have made every effort to minimize the weight of this unit, if you feel you cannot safely lift it, seek help when moving it.
- Before moving the unit, unplug the power adapter, ensure the screen is folded back and the reading table is parked home with the brakes applied.
- Never place any object on the screen. The screen can be scratched or broken easily and damage to it is not covered under warranty.

# Using the Presto

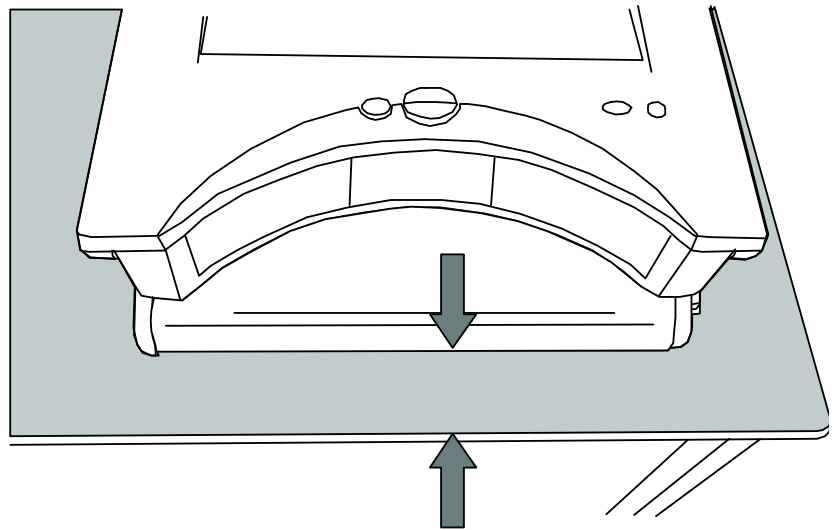
## 1. Setting up

Lift the Presto from its packaging and place it on a solid, level desk. Raise the screen upright.



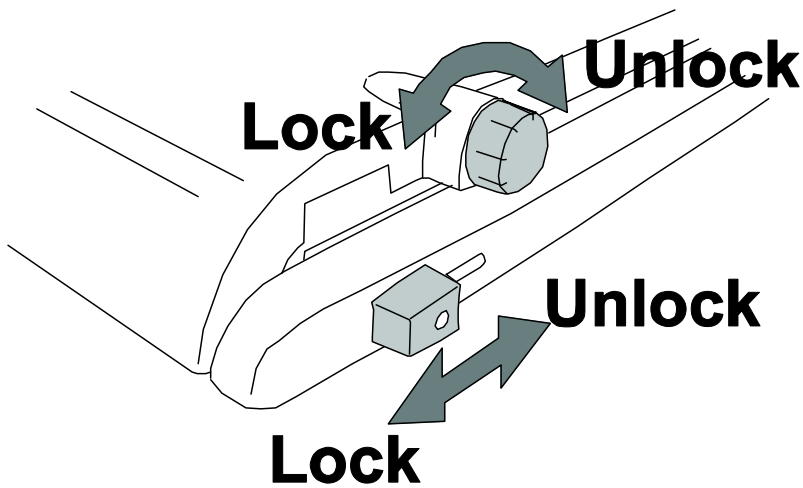
Plug the power adapter into the mains using the lead provided and insert the other connector into the socket on the rear bulkhead of the Presto.

Ensure the unit is placed at least 10cms (4 inches) back from the edge of the desk. Sit in front of the unit.



**Min 10cm / 4 inches**

Press the red button on the right of the front panel to turn the Presto on. The Presto will beep to indicate power-on and the lamps will light. After a few seconds, the image will appear on the screen.



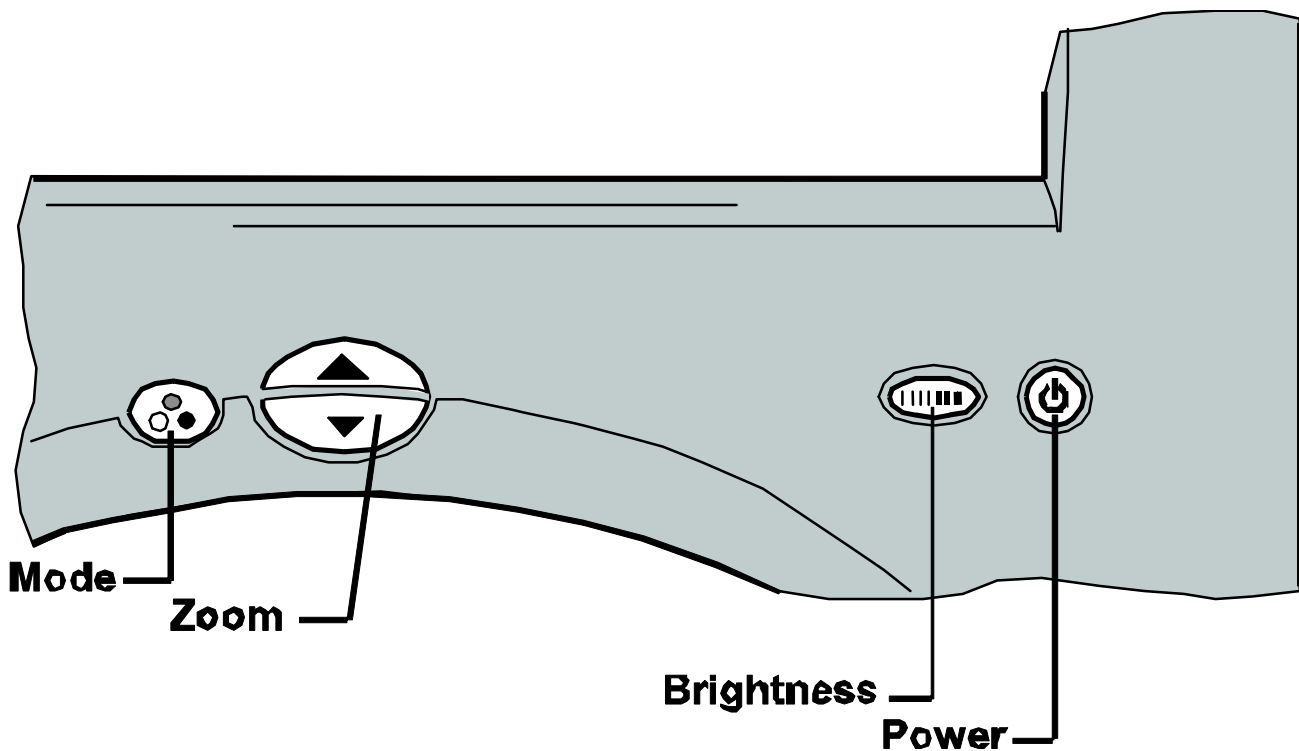
Release the brake on the reading table and pull the table out towards you. If you push the table back in again, you will see that the table locks home only when located

centrally between its legs. Place some text on the table and you should see it on the screen.





## 2. Folding down and moving

- Turn off the unit using the power switch
- Unplug the power adapter from the Presto and also from the wall socket.
- Remove all material from the reading table.
- Park the table centrally between its legs and apply the brakes.
- Fold the screen back.

### 3. The Front Panel



The front panel has five buttons that control the various function of the Presto.

Symbol	Name	Basic function
	Mode	The mode button switches between picture mode (for viewing pictures and images) and positive and negative reading modes.
	Zoom	Press the upper button to zoom in and increase magnification. Press the lower button to zoom out and reduce magnification.
	Brightness	Press to select the image brightness and contrast settings you prefer.
	Power	Press to power-on and power-off the Presto.

## 4. Functions

This section will describe how to use the features of the Presto to magnify text and images. Follow the instructions in section 1 – **Setting Up** before you begin using the unit.

### ***Reading Table***

Unlock the table and place the material you want to read on it. The table should slide easily in all directions. After transport, the bearing carriers in the table slides may have moved, tending to restrict the extent of the movement – this is normal. To correct this, extend the table in all directions to its full extent, applying sufficient force to re-align the bearing carriers.

The brakes on the table can be used to restrict the table's movement:

- The rotary knob locks the side-to-side movement.
- The sliding knob locks the in-out movement.

Both brakes operate independently and you may find that locking one or other allows you to scan a line of text or a column of numbers easily. Locking both brakes facilitates writing under the unit.

### ***Power button***

Press the power button to turn on the unit. Pressing the power button again (after the start-up screen has cleared) will turn off the unit. The Presto stores its settings only when it is powered off using the power button. If the power is interrupted, either by a mains failure or by

unplugging the power, any changes made during the session are lost.

### ***Zooming in and out***

Press the upper half of the zoom control to enlarge the magnification. The button can be held until the desired magnification is reached. When the maximum magnification is reached the zooming will stop.

Pressing the lower half of the zoom control will reduce the magnification in a similar manner.

On releasing the zoom control, the selected level of magnification will be displayed briefly in the lower right on the screen.

### ***Picture and Reading Modes***

**Picture mode** offers a full colour image suitable for viewing photographs and other images or for viewing text without enhancement.

There are two **Reading modes**, positive and negative; sometimes referred to as normal and reversed. The positive mode enhances the contrast and removes greys. Negative mode enhances the contrast and also reverses the ink and paper making the letters white and the paper black.

The Mode button is used to select the desired image mode. Repeated pressing of the mode button will switch from picture mode to positive to negative and back to

picture mode. Select the reading mode you find easiest to use.

### ***Brightness Control***

All three modes (photo, positive and negative) have four brightness and contrast settings. Press the brightness button to select the setting you prefer for the material you are viewing.

# Specifications

Dimensions:	Table footprint: 45cm x 42cm (17.7" x 16.5") Folded height: 18.5cm (7.3") Upright height: 54cm (21") Height to screen centre: 38cm (15") Weight: 9kg (20 pounds)
Power:	12V 3A from the power supply provided. Wide input voltage (100V to 240V, 50-60Hz)
Display:	15.1-inch diagonal Active Colour Matrix TFT liquid crystal display (viewing area comparable to a 17 inch standard picture tube); 1024 x 768 pixels; anti-glare coating. Free from the flicker and radiation associated with CRT monitors.
Modes of Operation:	High-contrast positive and negative reading Full colour picture mode.
Advanced features:	Extra large reading table with 41cm x 30cm (16" x 12") travel. Auto-focus LED lighting Adjustable image settings
Ergonomics:	Collapsible to compact size. Comfortable screen height. Tiltable display. Low weight
Magnification:	X2.5 to x40 continuous zoom
Temperature:	10°C to 40°C (50°F to 100°F)

*As we strive to constantly improve our products, this information is subject to change without notice.*

## DECLARATION OF CONFORMITY

We, **Ash Technologies Ltd.**, declare under our sole responsibility that this product, **Presto**, of the brand **Ash Technologies** to which this declaration relates, is in conformity with the following standards or other normative documents:

EN 55022:1998 + A1:2000 + A2:2003 ITE – Radiated emissions  
EN 55024:1998 + A1:2001 + A2:2003 ITE – Immunity characteristics

following the provisions of EMC directive 89/336/EEC and Low Voltage directive 73/23/EEC and the Medical Directive 93/42/EEC.

Alan Johnston  
Engineering Director  
Ash Technologies Ltd, Naas, Ireland.  
4<sup>th</sup> January 2008



# Warranty

Ash Technologies warrants the equipment, when purchased new, to be free from defects in material and workmanship and will repair or replace at Ash Technologies' discretion, any equipment which exhibits such defects; provided that the equipment has been operated under the proper conditions of installation and has not been tampered with by any persons not authorized by Ash Technologies or its agents and that it is solely serviced by Ash Technologies or its agents.

This warranty shall be voided in the event of damage or abuse caused, in the opinion of Ash Technologies or its agents, by dropping the unit.

Cracks, scratches and pixel defects or similar damage to the display are specifically excluded from warranty.

In no event shall Ash Technologies or its agents be liable for special, indirect, incidental or consequential damages; the original user's remedies being limited to repair or replacement.

This warranty is valid only when serviced in the country of original purchase.

**Ash Technologies makes no other or further warranty, express or implied, including and warranty of fitness for a specific purpose or warranty of merchantability.**

**This warranty is valid for a period of  
TWO YEARS  
effective from the date of delivery.**

**For warranty claims or service during or after warranty period please contact your distributor.**



Ash Technologies Limited, B5, M7 Business Park, Naas, Ireland.  
info@ashtech.ie      www.ashtech.ie